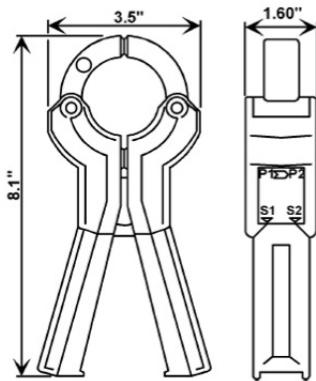


ACT CT NS

AC Clamp-On Current Transformers



DIMENSIONS



SPECIFICATIONS

- Accuracy Class..... 1%
 - Operating Voltage 600 Volts Max.
 - Isolation Test..... 4 kV - 1 Minute
 - Current Rating..... Full Scale - Continuous
100% Overrange - 3 Minutes
 - Temperature -10° to +50° C
 - Weight..... 1 to 1.25lb
 - Output Terminals 4MM Safety Terminals
Cable - optional
 - Cable Opening..... 2.0"
 - Busbar Opening 2.0" x 0.5"
 - Dimensions 8.1" x 3.5" x 1.6"
- Color**
- Current Output Gray
 - Voltage Output..... Blue
- Special cables and connectors are available.*

APPLICATION AND ORDERING DATA

Model	Primary Current	Output	Max Current	Load (Ohms)	Phase (Deg.)	Frequency Range (Hz)	
						for 3%	for -3dB
AC CLAMPS WITH CURRENT OUTPUT							
NS-200-5	0.2 -200 AAC	5AAC	300A	0.1	1.5 to 2.5	40-5000	30-10,000
NS-500-5	0.5 - 500 AAC	5AAC	750A	0.1	1.0 to 1.5	40-5000	30-10,000
NS-1000-5	1-1000 AAC	5AAC	1500A	0.1	0.5 to 1.0	40-5000	30-10,000