

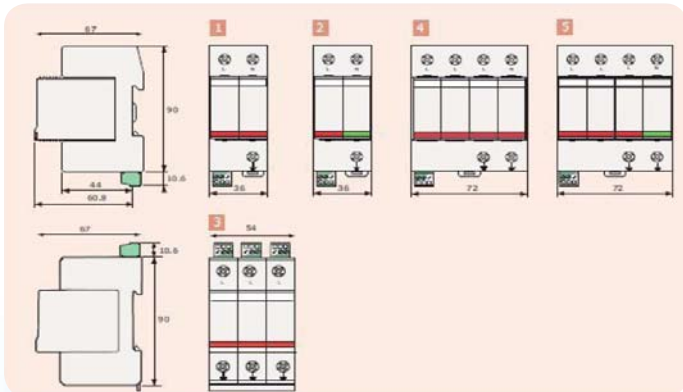
# ACT 450 DS Family

A DIN Mounted Surge Protection Device



- ▶ The ACT 450 DS Din Mounted Surge Protection Device is designed in a multi-polar configuration to protect single phase, split phase, three phases or 3 phase + neutral AC power.

## ▶ DIMENSIONS & DIAGRAM



## ▶ FEATURES AND BENEFITS

- 4 Modes of Discrete Protection(L-N, N-G)
- 10 Modes of Protection (L-N, L-G, N-G, L-L)
- Green Status indicating Lights per phase
- NO/NC Form C Dry Contact standard for remote monitoring
- Individually Fused MOV Technology in a multi-stage protection package
- 1 –Year Standard Warranty

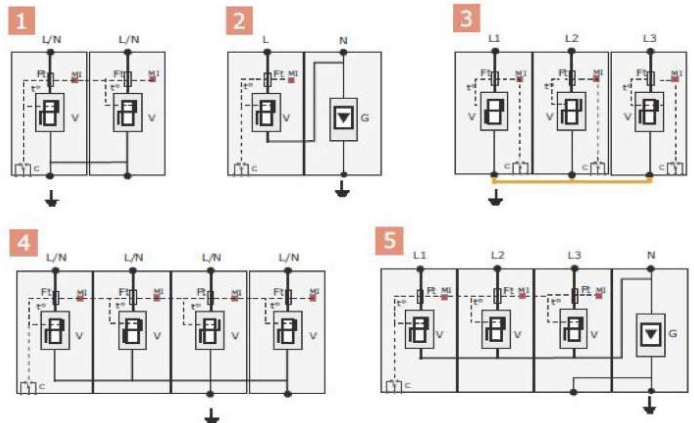
## ▶ STANDARDS MET

- Safety – recognized to UL 1449 3rd Edition
- ANSI/IEEE C62.41, C62.45
- ANSI/NFPA 70 National Electrical Code

## ▶ 3RD PARTY TESTED

## ▶ RECOMMENDED LOCATION

- Motors, Well Pumps / Cat C
- Distribution Equipment / Cat B
- Branch & Industrial Panels / Cat B
- Point of Use / Cat A



Part Number	Voltage	# of Protector Modules	I <sub>peak</sub> 8/20 us (I <sub>max</sub> /mode)	Clamp Voltage (500 A 8/20us)	Clamp Voltage (10,000 A 8/20us)	# of surges for I <sub>n</sub> /mode @ 20kA, 8/20us	Diagram
ACT 450-DS44-277/G	277/480 L-N, N-G	4	40kA	800V	1000V	15	5
ACT 450-DS44-120/G	120/208 L-N, N-G	4	40kA	400V	500V	15	5
ACT 450-DS43-277	277/480 L-G only	3	40kA	800V	1000V	15	3
ACT 450-DS43-120	120/208 L-G only	3	40kA	400V	500V	15	3
ACT 450-DS43-120	120/240 L-G + N-G	3	40kA	400V	500V	15	3
ACT 450-DS43-480	480 Delta L-G only	3	40kA	1000V	1800V	15	3
ACT 450-DS42-120/G	120 L-N + N-G	2	40kA	400V	500V	15	2
ACT 450-DS42-120	120/240 L-G only	2	40kA	400V	500V	15	1
ACT 450-DS41-240	240 L-G only	1	40kA	800V	1000V	15	1/2 of 1
ACT 450-DS41-220	220 L-G only	1	40kA	700V	900V	15	1/2 of 1
ACT 450-DS41-120	120 L-G only	1	40kA	400V	500V	15	1/2 of 1

\*Other Voltages are available for quote