



ACT 421

DC Protection Device



Example: ACT 421-012-300

- **Reacts in a Nanosecond**
- **Extremely Tight Clamp Voltage**
- **Easy Installation**
- **MOV/Gas Tube Hybrid Protection**
- **Green LED Indicates Protector is Working**

MOV/GAS TUBE TECHNOLOGY

The ACT 421 is a MOV/GAS TUBE (Metal Oxide Varistor) Hybrid device. This unit not only provides extremely tight suppression, but also can handle heavy transient current surges.

The ACT 421 is available 12 to 48 DC Surge Suppression Device which protects equally against positive and negative surges on DC voltage supplies. When the monitored voltage exceeds the clamping voltage “Break over Voltage” the 421 reacts within a nanosecond providing a low resistance path.

The clamping voltage allows for the tightest suppression without affecting the DC source voltage. The 300 series unit has two mounting tabs on each end to allow for easy installation. The 421 easily connects between the Positive & negative side of any DC supply. The green LED indicates the protector is working. When LED is out Then protector is bad or DC supply is not on.

Physical:

The ACT 421 comes standard in a 3.0”x 2.0” x 1.5” plastic enclosure. Each unit comes with two protected output lugs. Each terminal post has two ¼” connecting bolts to ensure a good connection.

Application:

The ACT 421 was designed to be used as a DC protection device. It is typically connected in parallel with the DC voltage supply and can sense either positive or negative surges on the DC voltage supply line. During a surge the 421 turns on and provides a low impedance path to ground. At the completion of a surge activity the protector resets to its monitoring state. The 421 can handle surge after surge and continue to protect valuable equipment. If the 421 fails from a catastrophic surge it will fail in the “Open” mode. Thus the DC voltage bus is not interfered with regardless if its in parallel configuration.

222 N. Center St.
Bonham, TX 75418

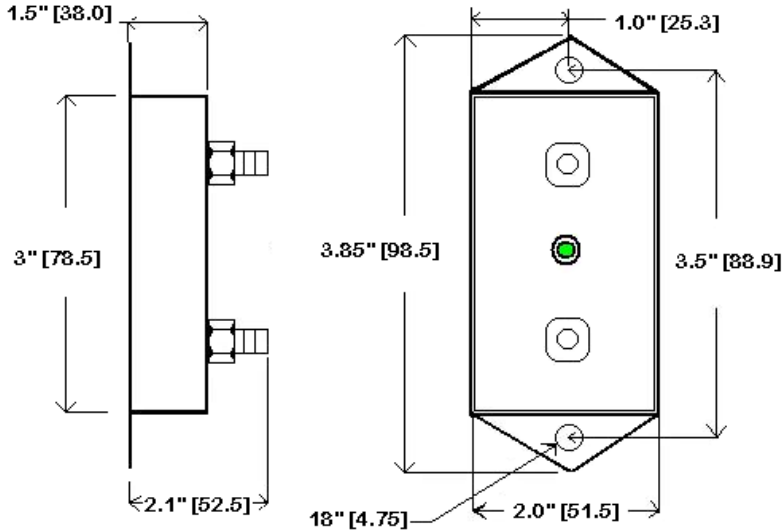


903-583-8097 Office
903-583-3148 Fax



ACT 421

DC Protection Device



Electrical Breakdown:

Peak Current:	(8/20uS) 32,000A
Typical Response Time:	1 nanosecond
Capacitance:	(@ 1kHz) 3300pfd
Fail Safe Mechanism:	Open
Protection Type:	Gas Tube/MOV Hybrid

[]=Metric MM

Ordering Information:

ACT 421-012-300

Family _____

Voltage Type _____

Box Type _____

Breakdown Voltage: by Part Number

12V DC	(421-012-300)	-12V DC	(421-013-300)
24V DC	(421-024-300)	-24V DC	(421-025-300)
36V DC	(421-036-300)	-36V DC	(421-037-300)
48V DC	(421-048-300)	-48V DC	(421-049-300)

Installation Instructions:

- With a multi-meter, verify the positive terminal on the battery of DC voltage source. With no less than 12 AWG stranded wire, connect from positive terminal of voltage source to the positive connection post on the ACT 421 (Post without color) using a ring terminal.
- With no less than 12 AWG stranded wire, connect to Negative post of battery and connect opposite side of cable to a ring terminal a Negative side (Green Post).
- With power applied and unit working normally a green LED should turn on. If LED is not lit, check polarity and connection.

222 N. Center St.
Bonham, TX 75418



903-583-8097 Office
903-583-3148 Fax