

ACT 471 Surge Seeker Family

A Full-Featured Primary Surge Protection/Filter Device



- ▶ Power quality is more important today than ever before and that means not just any surge protector can be relied on to protect your sensitive equipment. The ACT 471 Surge Seeker Family of surge protectors is the perfect design to protect your sensitive electrical and electronic environments.

This full-featured filter protector protects all phases and modes against transient surges and, with the filter option, is able to reduce induced noise by over 50 dB. **No other company offers as much power quality protection.**

▶ RECOMMENDED LOCATION

- Building Entrance / Cat C
- Switch Gear
- Motor Control Center
- Primary Surge Protection for a Facility

▶ FEATURES AND BENEFITS

- 200 kAIC rated Fuse or Optional Fused Disconnect
- Up to 240,000 amps per mode modular protection (480,000 per Phase)
- BEST built in Filter options in the market
 - Advanced filter targets most common transient surges and damaging medium frequency noises
- Bus Connected Surge Modules
- 10 Modes of Protection (L-N, L-G, N-G, L-L)
 - 7 Modes Discrete
- Dual Surge Counter Options (Continuous and Resettable)
- Smart Monitoring
 - Diagnostic board not only tells you Good & Bad Phase protection but also what module needs replaced
- Dual NO / NC Form C Dry Contacts
 - For remote monitoring & control (250V 5 A rating)
- Individually Fused MOV Technology
- NEMA 4 & NEMA 12 Painted Steel Enclosure
- 10 Year Standard Warranty

MOST ADVANCED MONITORING SYSTEM ON THE MARKET

- Lights (LED)
- Audible Alarms
- Relay
- Dual Surge Counters (optional)
- FULL POWER QUALITY METER (optional)
- LOGGING CAPABILITY (optional)
- Load Monitoring (optional)

▶ STANDARDS MET

- Safety – Listed to UL 1449 3rd edition Sept 2009
- Noise Filtering – UL 1283
- ANSI/NFPA 70 National Electrical Code

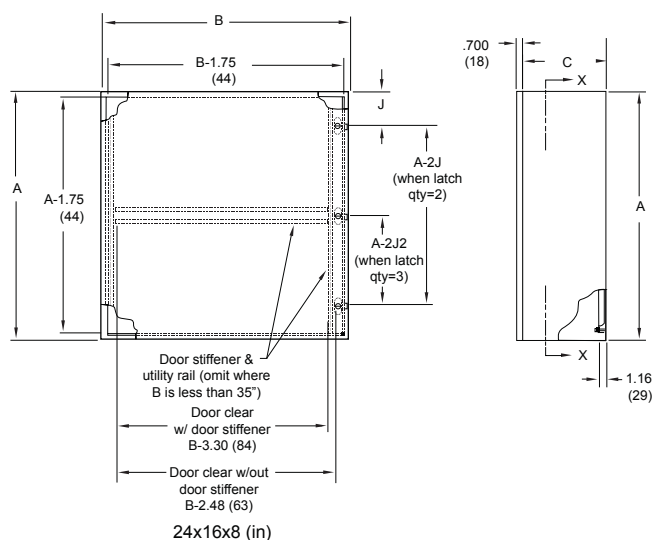
▶ 3RD PARTY TESTED

ACT 471 Surge Seeker Family

A Full-Featured Primary Surge Protection/Filter Device



ACT 471-277Y-240-F1-M6



TECHNICAL INFORMATION

MECHANICAL SPECIFICATIONS

Dimensions	24x16x8 (in)
Weight (determined by option)	Up to 65 lbs.
Enclosure	NEMA 12/4 Painted Steel
Operating Temp	-40°F to +140°F -40°C to +65°C
Non-condensing Humidity	5% to 95%

ELECTRICAL SPECIFICATIONS

Connection Method	Parallel
Discrete Protection Modes (7 Modes)	L-N, L-G, N-G
Wired Lugs	Up to 2 AWG
Status Indicators	Working - Green LED's Alarm - Red LED
Dual Alarm Relay Contacts	Form C NC & NO
Audible Alarm	Turn On/Off Switch
Dual Surge Counters	Continuous & Resettable
Filter (3kHz – MHz)	>-50dB

Example: ACT471-277Y-160-F2

Part Number	ConConfiguration	MCOV	IEEE C62 8x20uS 500 A				IEEE C62 8x20uS 3000 A			
			L-N	L-G	N-G	L-L	L-N	L-G	N-G	L-L
471-120S	120/240 Vac 3W+G	150V	500	500	500	1000	700	700	700	1400
471-120Y	120/208 Vac 4W+G	150V	500	500	500	1000	700	700	700	1400
471-277Y	277/480 Vac 4W+G	320V	800	800	800	1600	1000	1000	1000	2000
471-240D	240 Vac 3W+G, delta	320V/550V	-	800	-	1600	-	1000	-	2000
471-240H	120/240 Vac 4W+G, delta HL PHB	150V/240V	500/800	500/800	500	1000	700/1000	700/1000	700	1400
471-480D	480 Vac 3W+G, delta	600V/1200V		1600		3200		2500		3200

EXAMPLE:

ACT471-277Y-160-F2-D-C2-M2

Modular protector at 160kA/mode, two noise filters, internal disconnect, two surge counters and V2 option on the Power Quality meter

OPTIONS

Surge Rating (kA) by Mode: 080, 160, or 240
 Enclosure Type: NEMA 12/4X standard
 Aluminum - ALM
 Stainless Steel - SS
 Internal Disconnect: 600V 40 Amp Fused - D
 Filter(s): Advanced EMI /Noise Filter - F1 or F2
 Counter(s): Surge Counter - C1 or C2
 PQ Meter: M 1-6 Number refers to V option
 See ACT M200 specification sheet